

Introducing Dormex Container's **PCR Portfolio**



Dormex**Containers**Ltd



//6.3 billion

metric tons of
plastic waste resides in
landfills or the natural environment*

* Source: National Geographic,
"Here's How Much Plastic Trash is Littering the Earth"
by Laura Parker,
December 20, 2018



This figure is expected
to double by
2050



Dormex**Containers**Ltd

Dormex Containers Ltd is committed to stocking
products that use **post-consumer recycled (PCR)** plastic.

// Does this matter to consumers?

37%

of millennials check packaging labels for sustainability - more than any other generation¹

1 in 3

agree they are more likely to purchase a brand that offers products in sustainable packaging over one that doesn't¹

52%

of consumers are willing to pay upwards of 10% more for products with sustainable packaging, and 28% are willing to pay up to 30% more²

The Dormex Containers PCR Portfolio



Dormex**Containers**Ltd

// There are three types of PCR

Raw PCR

Collected, sorted cleaned and processed PCR plastics

Pre-Coloured Raw PCR

Collected, sorted cleaned and in-process coloured black

Food-grade PCR

Raw PCR that has undergone an additional sterilisation process to be food-contact eligible, earning a "Letter of Non-Objection" from the FDA

// Dormex Containers PCR Portfolio

SD200®



TS800®



SD®20C



Mark VII®
Max



Select
Closures



// TS800

TOTAL PCR WEIGHT
Approximately 40%

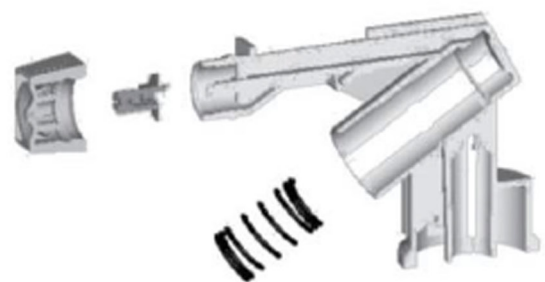
MATERIAL
Raw PCR

STANDARD COLOUR
Basalt Grey & Black ■ ■

MANUFACTURING REGION
Europe



98% PCR Shroud



98% PCR
Trigger



50% PCR Closure

// SD20C

TOTAL PCR WEIGHT
Approximately 28%

MATERIAL
Raw PCR

STANDARD COLOUR
Basalt Grey & Black ■ ■

MANUFACTURING REGION
Europe



50% PCR Satin Head



50% PCR Closure



// Mark VII Max

TOTAL PCR WEIGHT

Approximately 31%

MATERIAL

Raw PCR

STANDARD COLOUR

Basalt Grey & Black ■ ■

MANUFACTURING REGION

Europe



50% PCR Hood



50% PCR Closure



// Select Closures

TOTAL PCR WEIGHT

Approximately 98%

MATERIAL

Food-Grade PCR

STANDARD COLOUR

Black

MANUFACTURING REGION

North America



98% PCR Polycam
Smooth Wall Closures
PS356, PS370



98% PCR Tube Closures
PS406, PS419



98% PCR Polycam
Serrated Closure
PS354

// Why choose PCR with Dormex

First pump manufactured

in PCR is stocked,
to offer a portfolio
of cross-platform
solutions with PCR

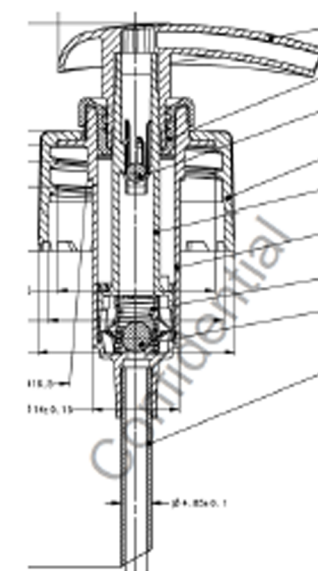
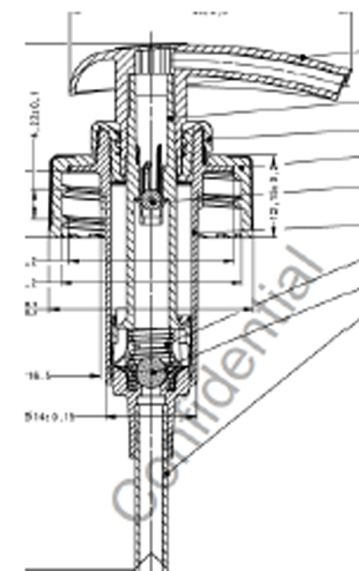
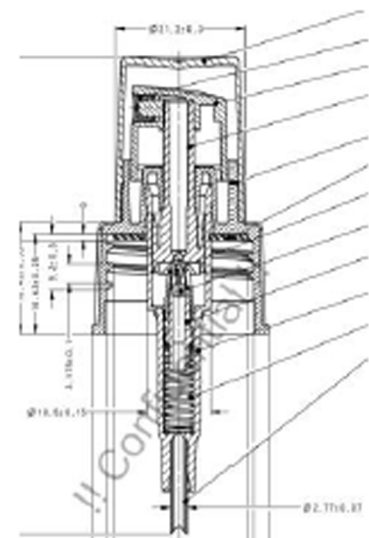
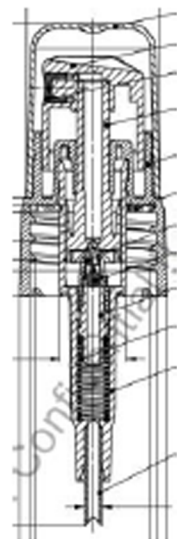
Wide Range

of dispensers, sprayers,
triggers and closures
using recovered
materials

Market- leading solutions

with demonstrated
quality, performance
and supply - now
with PCR

Dormex Containers is your partner
in solving your sustainability
challenges through innovative
products featuring post-consumer
recycled (PCR) plastic



MkVII GL20		Proportion PCR of the component	Proportion PCR of the Pump
Shroud Closure	2,4	50%	17%
Accumulator	1,0	0%	0%
Head	0,9	0%	0%
Piston	0,6	0%	0%
Diptube	0,4	0%	0%
Gasket	0,1	0%	0%
Hood	1,3	50%	9%
Poppet	0,1	0%	0%
Small Piston	0,1	0%	0%
Orifice	0,1	0%	0%
Ball	0,1	0%	0%
Spring	0,3	0%	0%
Sum proportion PCR of the pump			26%
Sum proportion PCR of the plastic components of the pump			27%

MarkVIIMaxPCR 24-410		Proportion PCR of the component	Proportion PCR of the Pump
Shroud Closure	3,7	50%	22%
Accumulator	1,0	0%	0%
Head	0,9	0%	0%
Piston	0,6	0%	0%
Diptube	0,3	0%	0%
Gasket	0,2	0%	0%
Hood	1,3	50%	8%
Poppet	0,1	0%	0%
Small Piston	0,1	0%	0%
Orifice	0,1	0%	0%
Ball	0,1	0%	0%
Spring	0,3	0%	0%
Sum proportion PCR of the pump			30%
Sum proportion PCR of the plastic components of the pump			31%

SD20c PCR 28-400		Proportion PCR of the component	Proportion PCR of the Pump
Shroud Closure	2,3	50%	11%
Accumulator	2,1	0%	0%
Satin Head	1,9	50%	10%
Piston	1,1	0%	0%
Diptube	1,1	0%	0%
Chaplet	0,6	0%	0%
Ball	0,1	0%	0%
Ball	0,1	0%	0%
Spring	0,7	0%	0%
Sum proportion PCR of the pump			21%
Sum proportion PCR of the plastic components of the pump			23%

SD20c PCR 28-410		Proportion PCR of the component	Proportion PCR of the Pump
Shroud Closure	3,1	50%	14%
Accumulator	2,1	0%	0%
Satin Head	1,9	50%	9%
Piston	1,1	0%	0%
Diptube	1,1	0%	0%
Chaplet	0,6	0%	0%
Ball	0,1	0%	0%
Ball	0,1	0%	0%
Spring	0,7	0%	0%
Sum proportion PCR of the pump			23%
Sum proportion PCR of the plastic components of the pump			28%



// PCR - Status Update

SD20 PCR

- Satin head and closures validated with PCR
- Now ready for production
- Prices available

Mark VII Max

- Hoods and closures validated with PCR
- Now ready for production
- Prices available

P2000

- Ongoing trials
- Planned for production around July 2019



// PCR - Status Update

Sinfonia

- Will round up first the resin change and then start working on PCR

Melodie

- Tests done with head in PCR but not validated
- Working on modifications
- Should take a couple of months





Dormex**Containers**Ltd

bottles@dormex.co.uk

01928 703 160